

Characteristics

	DPG-PURE	TRANS-PURE	Z-PURE	DPG-1A
Connection 1/4, 3/8, 1/2, 3/4, and 1" flare 1/4" Male NPT	x	x	x	x
Configuration Flow through Dead End	x x	x x	x x	x x
Operating temperature 50° C	x	x	x	x
Electrical connection Six wire flying leads Optional ARAS™ connector	x x	x x	x x	x x
Power 15-24VDC	x	x	x	x
Unit of measure psi, KPa, Bar inHg	x	x	x	x
Switches	x		x	x
Repeatability 0.02% FS or 1 digit @ 25° C	x	x	x	x
Accuracy 0.75% Full Scale	x	x	x	x
Wetted material PTFE, Parofluor™ or Kalrez™ Nylon, Polypropylene and Silicon	x	x	x	x
Non-wetted material Retainer-Polypropylene O-ring Viton™ Overlay PVDF All Teflon™	x x x		x x x	x x x
Cable Each wire is jacketed in FEP™ Teflon, as is the cable itself	x	x	x	x
Analog output 0-10V, 1-5v or 4-20mA	x	x	x	x
Over pressure - maximum range 150 psi 1.5 times rated range	x	x	x	x
Lock out access to setting menu? Highest pressure stored in memory?	x x		x x	x x

*Kalrez, Teflon, Viton and FEP are registered trademarks of the EI DuPont Company
*Parofluor is a registered trademark of Parker Hannifin, Inc

How to Order

Order Code: x x x x - x x - x - x - x - x

PART NAME
DPG 1A
DPG-Pure
Trans-Pure
Z-Pure

PRESSURE RANGE
i.e. 030 = 0-30 psi (user defined)

UNITS OF PRIMARY CALIBRATION
P=psi
V=inHg VAC
K=KPa
B=BAR

FLARED FITTING SIZE (PURE ONLY)
2=1/4"
3=3/8"
4=1/2"
6=3/4"
8=1"

OUTPUT
I=CURRENT 4-20MA
V=VOLTAGE 0-10 VOLT
V1=VOLTAGE 1-5V

CONFIGURATION (PURE ONLY)
F=FLOW THROUGH
D=DEADEND

V=DISPLAY ALIGNED FOR VERTICAL MOUNTING
BLANK = HORIZONTAL

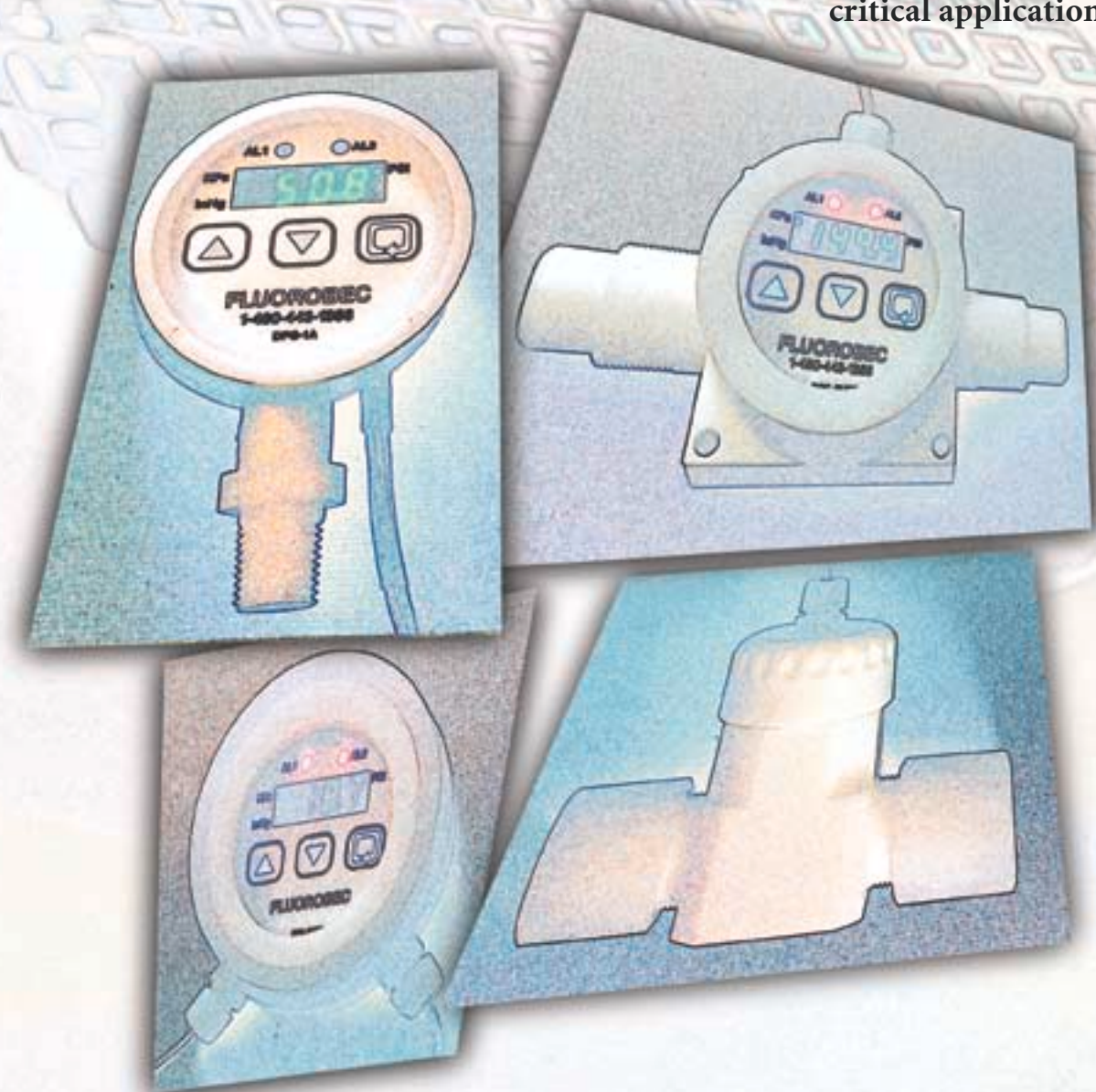


Liberty Sales Limited, LLC

FLUOROBEC™

Series of High Purity Pressure Sensors

- ★ All Teflon™ pressure sensors of high purity systems.
- ★ High Accuracy
- ★ Low Dead Volume
- ★ Available in Sensor only; Sensor with switches and sensor with panel-mounted switches
- ★ Polypropylene model for less critical applications



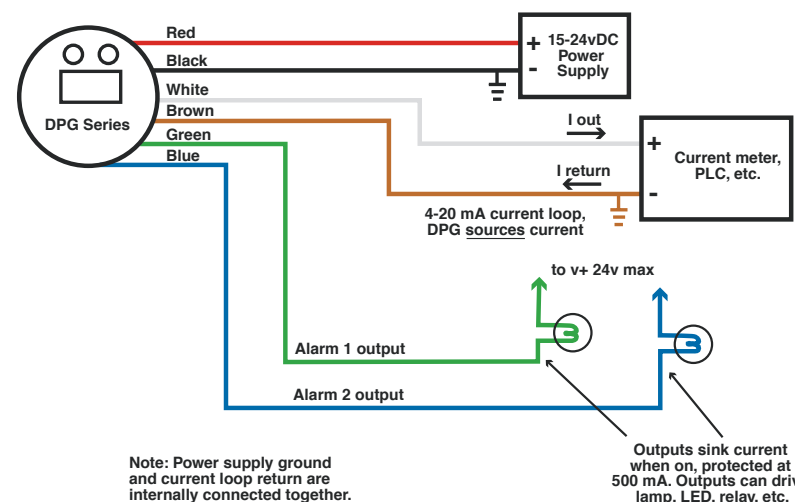
Distributed by:



Liberty Sales Limited, LLC

10869 North Scottsdale Road
Suite 103-111
Scottsdale, AZ 85254
Phone: 480-443-1356
Fax: 480-634-4190
www.libertyaz.com

WIRING DIAGRAM



The PURE series pressure transducers provide accurate pressure measurement in an all Teflon™ IP-65 rated package. These instruments have an accuracy of +/- 0.75% of full scale and a low dead volume (<0.5cc). All wiring and cabling is Teflon™ jacketed. Provides accurate trouble free pressure measurement that can stand up to the most rugged environments. User determined pressure ranges up to 150 psi (10 bar). Consult factory for higher ranges.



DPG-PURE

- ★ Two independent user programmable current sinking pressure switches accessed through three buttons on the face of the gauge
- ★ Visual display of line pressure
- ★ Analog output of pressure (current or voltage)
- ★ Available in flare sizes 1/4" to 1"
- ★ NPT and custom fittings available.
- ★ Each unit is calibrated to your pressure requirement at the factory, maximizing your accuracy by eliminating unused portions of the range.
- ★ Each unit can be made for vertical or horizontal pipe runs.

Ideally suited for many applications in the semiconductor, pharmaceutical and medical industries, such as:

Wet Bench	R & D
CMP	Testing
Chemical Delivery	Process control
Slurry Delivery	DI Delivery/heating
Facilities	R/O systems

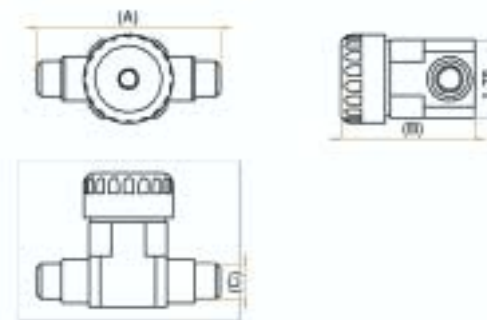


Options			
Fitting Size (C)	Length (A)	Height (B)	Width
1/4"	4.625 In.	3.00 In.	2.56 In.
3/8"	4.625 In.	3.00 In.	2.56 In.
1/2"	4.625 In.	3.00 In.	2.56 In.
3/4"	5.562 In.	3.00 In.	2.56 In.
1"	5.562 In.	3.75 In.	2.56 In.

TRANS-PURE

The TRANS-PURE is a transducer only. The TRANS-PURE is ideal for situations where a visual indication of pressure and pressure switches are not required. Some processes are so automated that the ability to read a displayed pressure is not required. The small, light weight TRANS-PURE is ideal, providing an analog output proportionate the pressure in the process line.

- Features:**
- ★ Analog output of pressure (current or voltage)
 - ★ Available in flare sizes 1/4" to 1"
 - ★ NPT and custom fittings available.
 - ★ Each unit is calibrated to your pressure requirement at the factory, maximizing your accuracy by eliminating unused portions of the range.
 - ★ Smaller footprint.



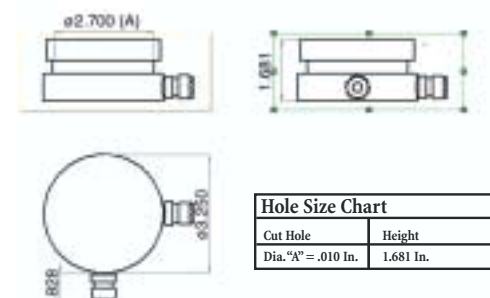
Options			
Fitting Size (C)	Length (A)	Height (B)	Width
1/4"	4.15 In.	3.00 In.	1.75 In.
3/8"	4.15 In.	3.00 In.	1.75 In.
1/2"	4.15 In.	3.00 In.	1.75 In.
3/4"	5.00 In.	3.75 In.	1.75 In.
1"	5.00 In.	3.75 In.	1.75 In.

The Z-PURE



The Z-PURE combines the small footprint of the TRANS-PURE with the visual indication and pressure switch features of the DPG-PURE. The Z-PURE has a sensor in the smaller TRANS-PURE housing that is placed in the process line and a remote panel that is panel-mounted on the tool (access panel and display shown at left). This product is well suited for application that require all the features of the DPG-PURE, but will be physically put into a position in the tool where accessing the face is not practical. Panel mounted display makes for easy human interface; either for visual check of line pressure or setting and adjusting pressure switches. Optional ARAS™ all Teflon™ water tight electrical connector.

- Features:**
- ★ Analog output of pressure (current or voltage)
 - ★ Available in flare sizes 1/4" to 1"
 - ★ NPT and custom fittings available.
 - ★ Each unit is calibrated to your pressure requirement at the factory, maximizing your accuracy by eliminating unused portions of the range.
 - ★ Smaller footprint.
 - ★ Remote panel-mounted display
 - ★ Optional ARAS™ all Teflon™ connector



Note: See Trans-Pure for sensor dimensions



Ask us about our ARAS™ all Teflon™, water tight electrical connector! Up to 18, 24 AWG connections.

DPG-1A

The DPG-1A has the same electrical specification as the DPG-PURE. The DPG-1A is in polypropylene housing. It is suited for applications that require the chemical resistance of polypropylene on the outside, but not the purity and cost of Teflon™. Sensor is compatible with non-corrosive gases and liquids. The DPG-1A is a low cost alternative to standard industrial sensor, but still gives you the benefit of an all polypropylene housing.

